

1146 SIDE DESK FOR INSTRUCTOR'S DESK ASSEMBLY INSTRUCTIONS

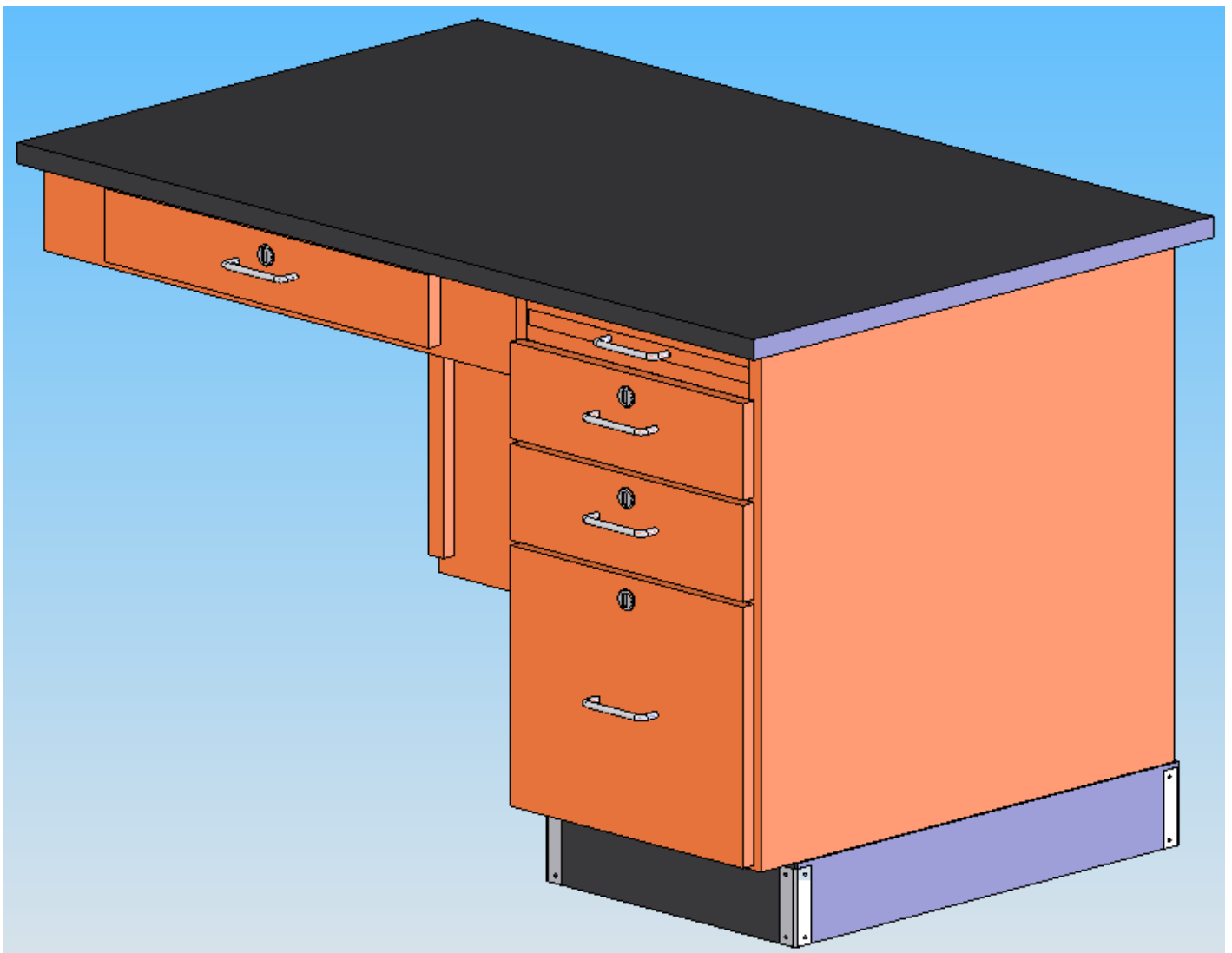


TABLE OF CONTENTS

	PAGE
REVISIONS TABLE.....	3
ASSEMBLY COMPONENTS.....	3
APRON BRACKET.....	4
MODESTY PANEL ASSEMBLY.....	4
APRON BOX ASSEMBLY.....	5
MODESTY PANEL ASSEMBLY.....	5
TOP ASSEMBLY.....	6
BASE MOULDING ASSEMBLY.....	6
PULL ASSEMBLY.....	6

ASSEMBLY COMPONENTS

Items Included In Hardware Box	Part #		Part #
1-ASSEMBLY INSTRUCTIONS		1-HARDWARE BOX	
7.2FT RUBBER BASE	100283	1-TOP, EPOXY 30X48 BLK FLAT	100245F
8-SCREW, 8X1 1/4 SQ WASHER	100478	1-APRON, 4.5X31, W/DRW	211268
4-STAINLESS STEEL CORNERS	100057	1-MODESTY PANEL, 25X31	MP2531KPS
16-SS SCREWS, 6X1/2 PTH	100064	2-PLASTIC FILE HANGERS	100184
2-CLEATS, RAIL	100355	8-SCREWS, 8X3/4 PHIL TRUSS HEAD	100649

REV	DESCRIPTION	DATE	INITIAL
---	Original Created	3-2-07	JWD

Assembly Instructions for 1146 SIDE DESK FOR INSTRUCTOR'S DESK

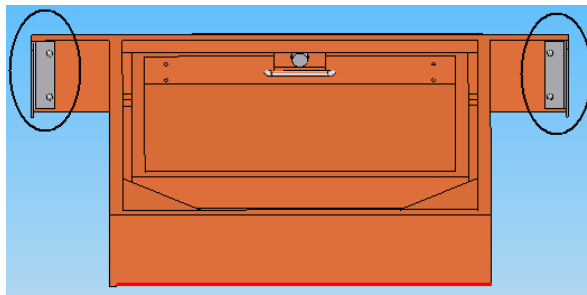
Items not included but needed for assembly:

- | | |
|--|-------------------|
| 1. Phillips head screwdriver | 4. Tape measure |
| 2. Drill with 3/16" bit | 5. Utility knife |
| 3. Silicone Adhesive Caulk-Clear (can be found in hardware stores) | 6. Contact cement |

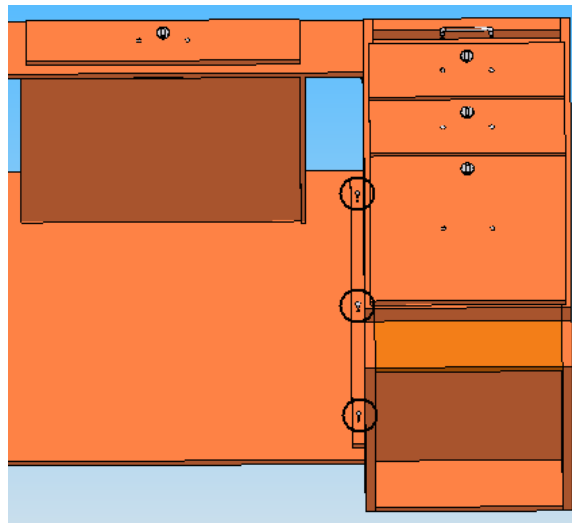
Inspect all components for shipping damage.

Instructions:

1. Side desk can be attached to either side of an Instructor's Desk. Instructions below shown for placement on Right side.
2. Attach one 4 1/4" x 1 1/4" metal apron bracket to both sides of the Apron with the #8 x 3/4" truss head screws. Recess the front of the bracket 1-1/8" from the front edge. The top of the metal bracket should be 28 7/8" from the bottom of the Instructor's Desk and drawer cabinet.



3. Attach modesty panel to the side of the drawer cabinet using the #8 x 1-1/4" washer head screws. (Drill 3/16" pilot holes through the wood cleat to avoid cracking) Make sure the top of the modesty panel is flush with the drawer cabinet. The modesty panel must be inset 1/4" on the drawer cabinet for best fit.



4. Position apron box flush with the top of the drawer cabinet and attach the apron bracket with the #8x3/4" truss head screws using the pilot holes provided (Figure 4A). Attach the rear of the apron box flush with the top of the modesty panel using the #8x1-1/4" washer head screws (Figure 4B). It is recommended that two people perform this step with one person holding the apron box while the other attaches it in place.

Figure 4A

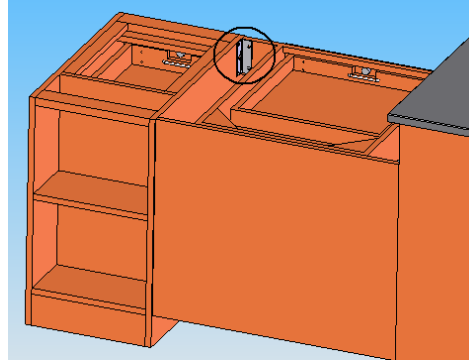
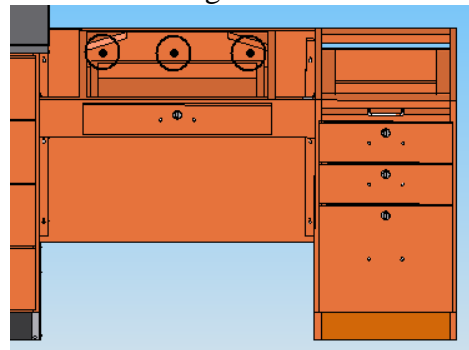
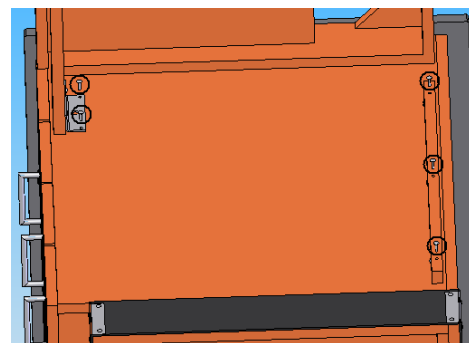


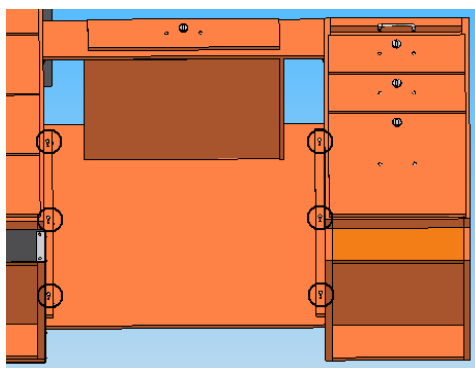
Figure 4B



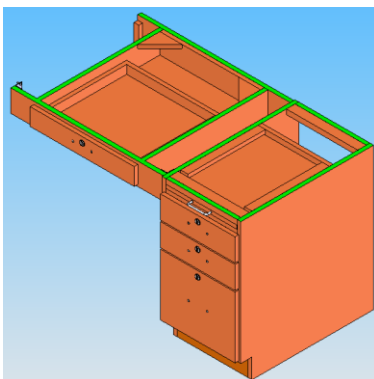
5. Slide the side desk up against the Instructor's desk, making sure it is level. Attach to the instructor's desk by attaching the metal bracket to the cabinet with the #8 x 3/4" truss head screws. Use the pilot holes provided. (Make sure the apron is tight against the instructor's desk)



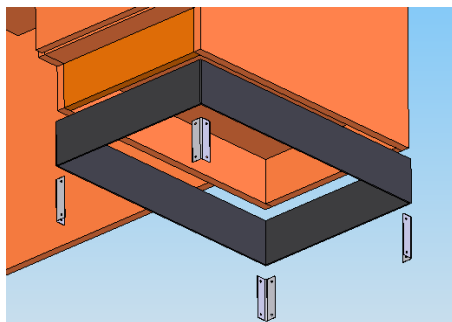
6. Attach modesty panel to the back of the Instructor's desk using the #8 x 1-1/4" washer head screws. (Drill 3/16" pilot hole through the wood cleat to avoid cracking). The modesty panel must be inset 1/4" on the Instructor's desk for best fit.



7. Outline the top of the base unit with the silicone adhesive and place top on the unit. Let cure for 6-12 hours. Be sure to position the top on the base unit before the silicone dries. Clean top with water only.



8. Cut the rubber base to fit each side of the cabinet. Attach the rubber base using contact cement. After molding is in place, screw stainless steel corner brackets on each corner over the base molding using the #6x12 SS screws.



9. Reverse pulls to the exterior of the unit as shown.

