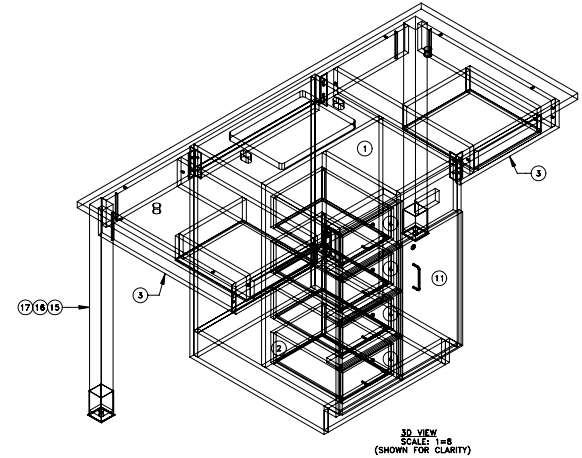
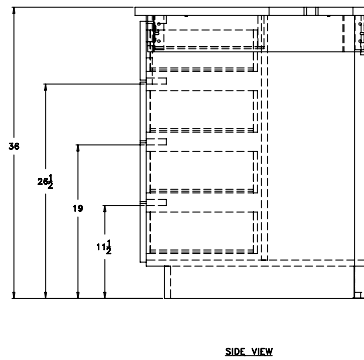
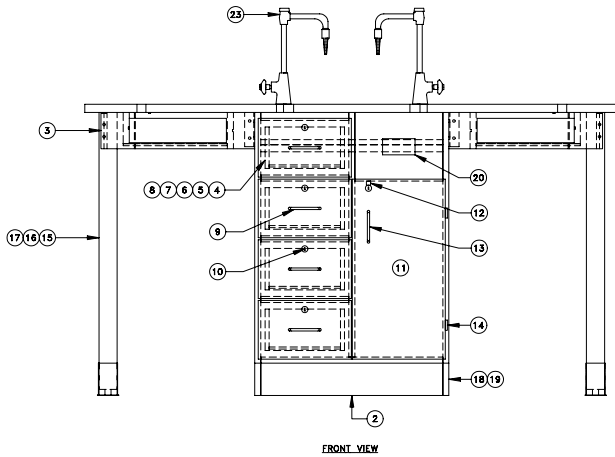


NOT SHOWN
25 26



BAL	QTY	UM	P/N	DESCRIPTION
1	1	EA	100502-F2	TOP.EPOXY,BLK,FKT,30X66
2	1	EA	207501	CABINET,2500K
3	2	EA	207002	APRON ASSY, OAK, W/COMP, 19X27.625
4	4	EA	201035DW1-IRC	DRW, MAJ, KRC, 10.88X8.75X13.75
5	4	PR	100129	DRAWER SLIDE, 14 3/4 EXT, 100# WH
6	16	EA	100177	SCREW, EURO, PHILLIPS FLAT
7	16	EA	100479	SCREW, #6X5/8 PFH SMS T-A ZINC
8	8	EA	100570	SCREW, #6X3/8 PFH 1/2S T-A ZINC
9	4	EA	206523	PULL ASSY, DRAWER, 96MM, WIRE, CHROME
10	5	EA	211197	LOCK ASSY, DISC, MAJ
11	1	EA	202933DW1-RH	DOOR, MAJ, KRC, EB4, 10.88X21.75, RH
12	1	EA	206507	CATCH, ROLLER ASSY
13	1	EA	206522	PULL ASSY, DOOR, 96MM, WIRE, CHROME
14	2	EA	206512	HINGE ASSY, FULL OVERLAY, STL
15	2	EA	L56	LEG, TABLE, OAK, 36
16	2	EA	520001	LEG HARDWARE KIT, 1 LEG
17	2	EA	520002	TABLE LEG COMPONENTS
18	1	EA	206514	CORNER BASE ASSY, SST, 4 CORNERS/W/SCRW
19	9	FT	100283	RUBBER BASE MOLDING (SOLD BY FOOT)
20	1	EA	206100	FLEG ASSY, GFL, 20A, 125V, BLK
21	2	SET	206505	ROD SOCKET ASSY, SOCKET, WASHER, NUT
22	1	EA	100691	SINK, EPOXY, L3, BLK
23	2	EA	100074	FIXTURE, L65-W5A-DIV(MULTI-SERVICE)
24	1	EA	206561	SINK ASSY, EPOXY, STRNR, STPPR, TRAP
25	1	EA	100096	HINGE MOUNTING PLATE, 9MM CLIP
26	1	EA	100609	BOX, MOBILE LAB HARDWARE

NOTE:
-ITEM 6 IS USED TO ATTACH GLIDES TO CABINET
-ITEM 7 IS USED TO ATTACH GLIDES TO DRAWER BOX
-ITEM 8 IS USED TO ATTACH GLIDES TO DRAWER BOX

REVISIONS				DATE	APPROVED	BY	DATE	SCALE	SHEET	OF	SIZE
1	REVISED LOCK ASSY NUMBER	4-28-03	STUSSCH	7/9/2004				1/8	2	1	D

DRAWING NUMBER		REVISION
C2516K		REV1

THIS DRAWING IS THE SOLE PROPERTY OF WOODCRAFTS, INC. IT IS TO BE KEPT IN CONFIDENCE AND NOT TO BE REPRODUCED OR TRANSMITTED IN ANY FORM OR BY ANY MEANS, ELECTRONIC OR MECHANICAL, WITHOUT PERMISSION.

SCALE 1 = 1/8 SHEET 1 OF 1 SIZE D

DIVERSIFIED WOODCRAFTS, INC
2 STUDENT CENTER 66 X 30