

4741K MICRO-MOBILE CABINET ASSEMBLY INSTRUCTIONS

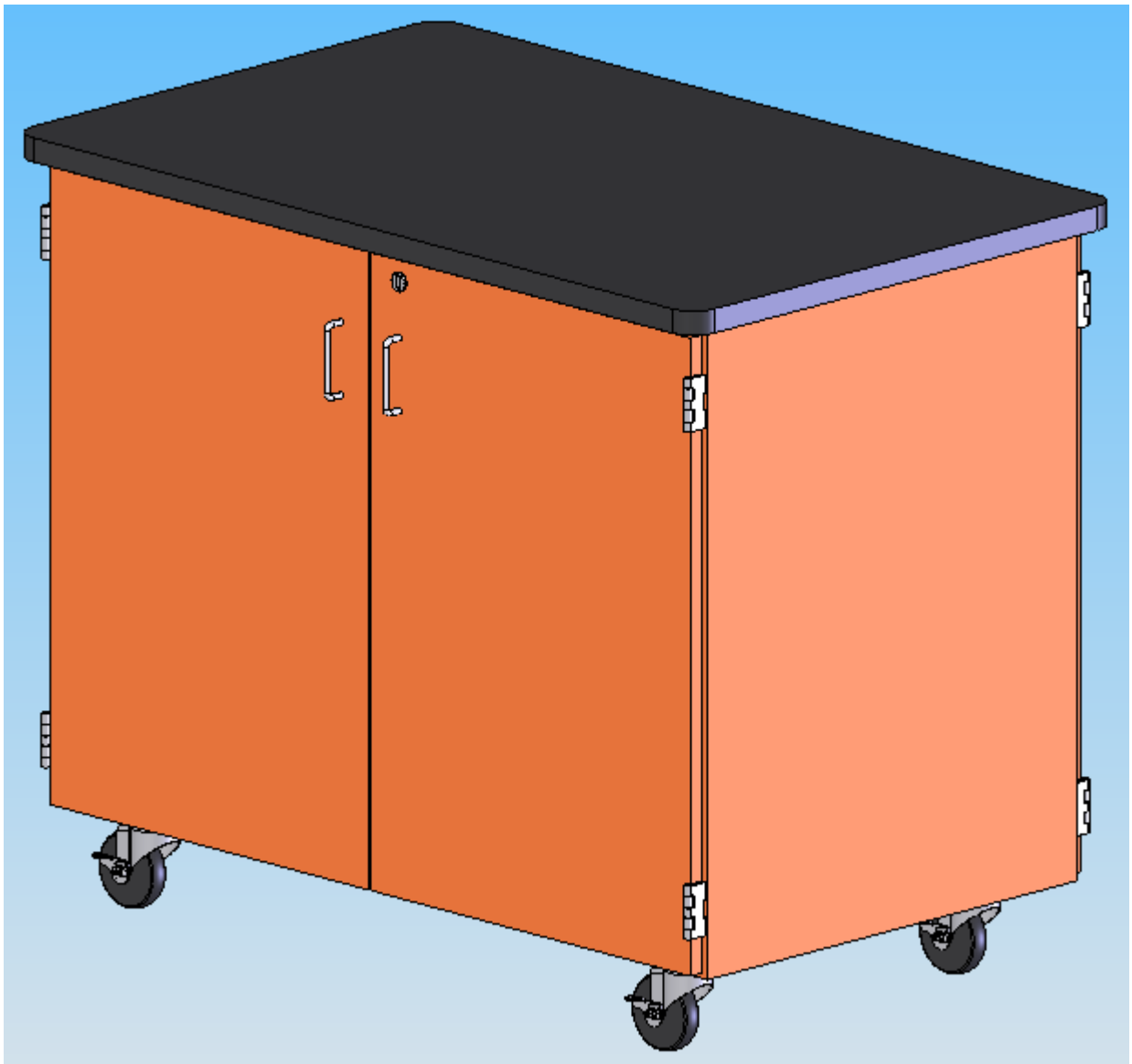


TABLE OF CONTENTS

	PAGE
REVISIONS TABLE.....	4
ASSEMBLY COMPONENTS.....	4
CASTER ASSEMBLY.....	5
DIVIDER ASSEMBLY.....	6

ASSEMBLY COMPONENTS

Items Included In Hardware Box			
	Part #		Part #
ASSEMBLY INSTRUCTIONS		NUT, 1/4-20 HEX ZINC	100483
CASTER, 4IN SWIVEL PLATE, W/BRAKE	100081	SCREW, 1/4-20X1 1/4 SLOTTED FLAT	100488
BOX, HARDWARE 8.00X8.00X8	100091	WASHER, 1/4" FLAT, ZINC PLATED	218589
MICROSCOPE DIVIDER, ZINC	100995	***MULTI-CHARGER, SCGNO9***	218967

Please Refer to Ken-A-Vision's #SCGNO9 Manual for operating instructions

REV	DESCRIPTION	DATE	INITIAL
---	Original Created	2-19-07	JWD



**Assembly Instructions for
4741K MICRO-MOBILE CABINET**

Items not included but needed for assembly:

1. ½" Wrench
2. Adjustable pliers

Instructions:

1. Attach the (4) 100081 4" SWIVEL TOP PLATE, W/BRAKE Casters into place using the (16) 100488 SCREW, ¼" - 20X1 ¼" SLOTTED FLAT, & the (16) 100483 NUT, ¼" - 20 HEX ZINC into the bottom of the base as shown.

Figure 1

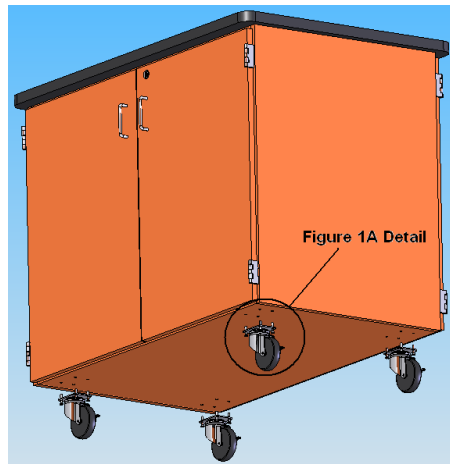
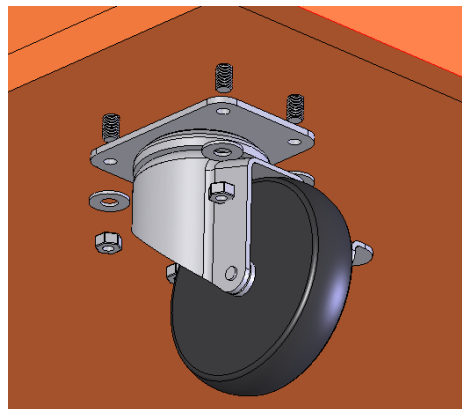
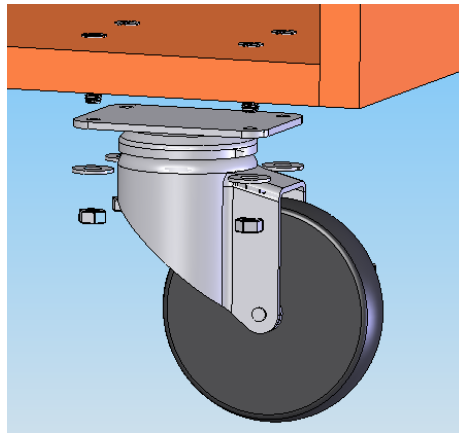


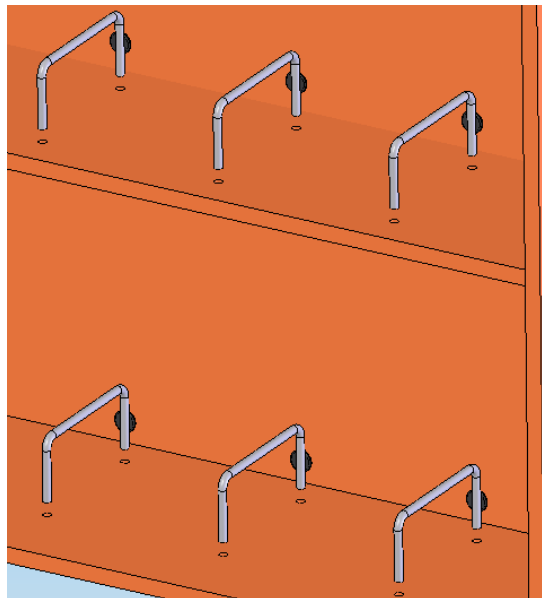
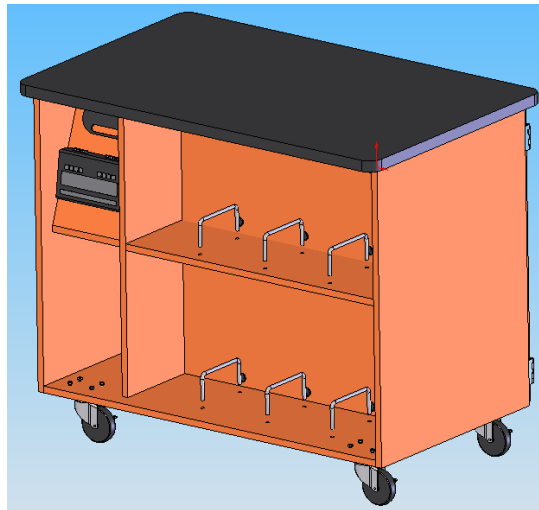
Figure 1A Detail





2. Insert microscope dividers (100995) into pre-drilled holes as shown.
NOTE: Doors removed to show details.

Figure 2



3. Clean top with water only.

Trouble Shooting Tip:

If the lights on the power distribution panel do not come on and run in sequence, it is possible the power supply has become disconnected inside the unit. This can be checked by removing one of the wood panels the power distribution panel is mounted on.