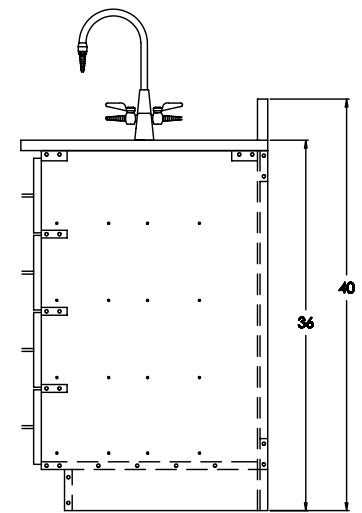
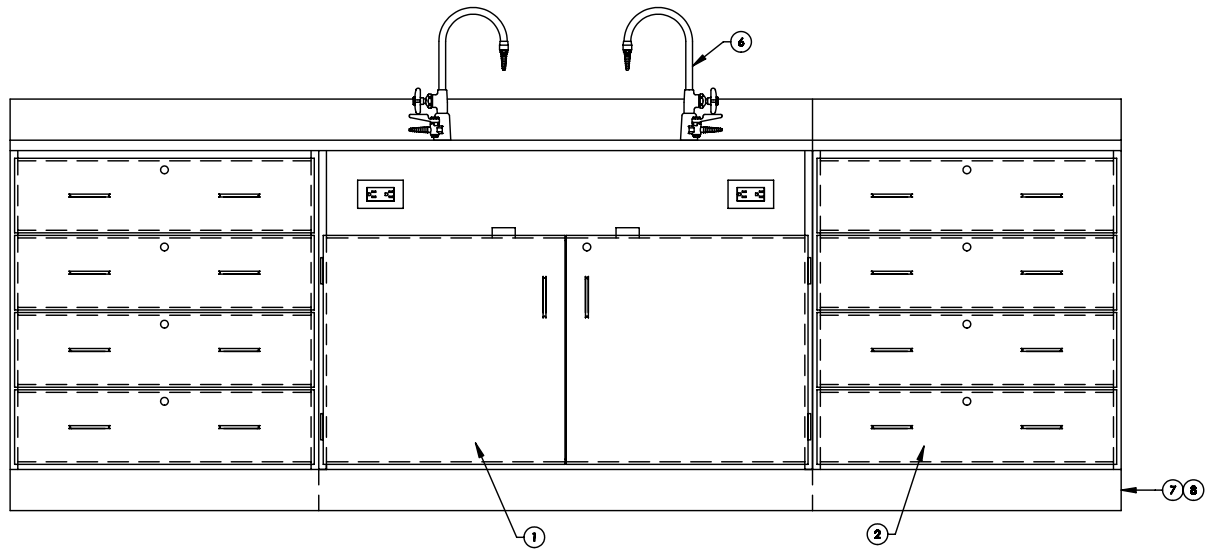
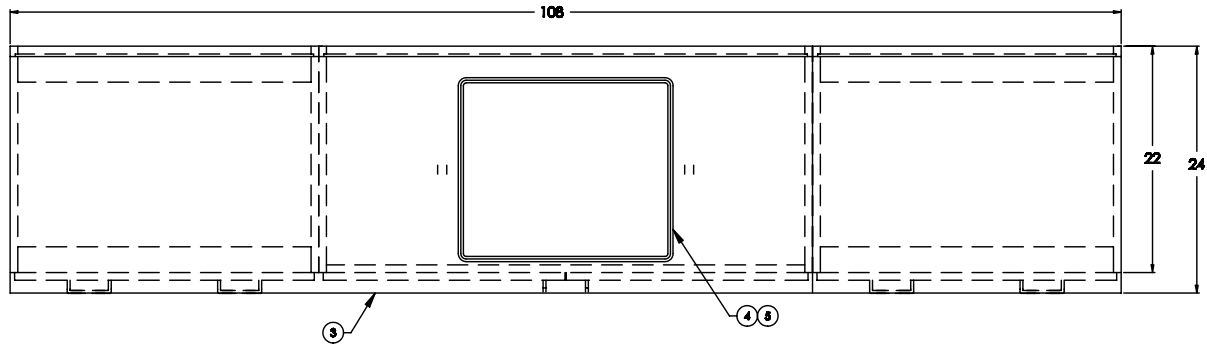


BAL	QTY	UM	P/N	DESCRIPTION
1	1	EA	181-4822	SINK BASE 48W X 22D
2	2	EA	121-3022	4 DRAWER 30W X 22D
3	1	EA	207824	TOP, 1EPOXY, BLK, APC, FIXT, 108X24
4	1	EA	100699	SINK, EPOXY, L30, BLACK
5	1	EA	204561	SINK, ASSY, EPOXY, STRNR, STPPR, TRAP
6	2	EA	100074	FIXTURE, L4S-WSA-DIV(MULTI-SERVICE)
7	12,292	FT	100283	BASE, RUBBER 4" WIDE
8	1	EA	204513	CORNER, BASE, ASSY, SST, 2CORNERSW/SCRW



REV	DESCRIPTION	DATE	APPROVED	DESIGNER	DATE	SCALE	REVISION
				STUSCHY	10/12/2004		

**DIVERSIFIED WOODCRAFTS, INC**  
 WALL SERVICE BENCH 108W X 24DX34H  
 W/CABINET 181-4822 & 12121-3022

DRAWING NUMBER: **3246K**

SCALE 1=6 SHEET 1 OF 1 SIZE C

THIS DRAWING IS THE SOLE PROPERTY OF DIVERSIFIED WOODCRAFTS. IF ANY NOT BE ALTERED OR CHANGED WITHOUT PERMISSION