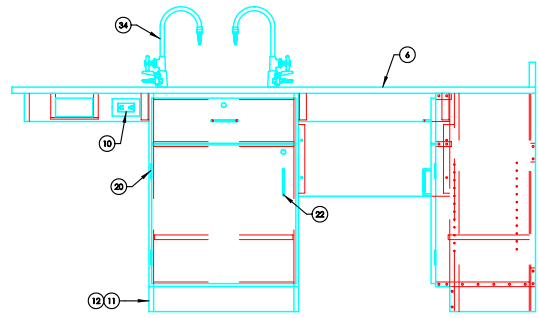
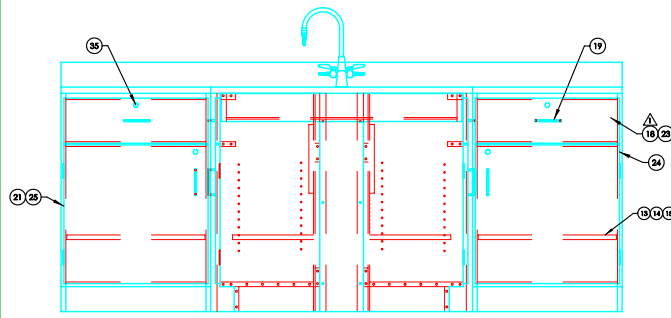


BAL	QTY	UM	P/N	DESCRIPTION
1	1	EA	207847	CABINET,2826A
2	1	EA	207848	CABINET,2826B
3	1	EA	207849	CABINET,2826C
4	1	EA	207850	CABINET,2826D
5	1	EA	207851	APRON ASSY,K,ZE,ROD COMP20X36,425
6	1	EA	100723F	TOP,EPOXY,1.00X42X66,BLK,FLAT,3PC
7	1	EA	100691	SINK,EPOXY,13,BLK
8	1	EA	206561	SINK,ASSY,EPOXY,STRNR,STPPR,TRAP
9	4	SET	206505	ROD,SOCKET,ASSY,SOCKET,WASHER,NUT
10	2	EA	206100	ELEC,ASSY,GFI,15A,120V,BLK
11	20	FT	100283	RUBBER,BASE,MOLDING (SOLD BY FOOT)
12	3	EA	206513	CORNER,BASE,ASSY,STL,2CORNERSW/SCRW
13	4	EA	200977-2218	SHELF,ADJ,KD3,EB1,.75X14.00X22.18
14	16	EA	100027	SHELF,CLIPS,PLASTIC,5mm,FIN
15	2	EA	100171	BAG,MINI,CRP,436,CLEAR
16	1	EA	100609	BOX,MOBILE,LAB,HARDWARE
17	6	EA	100355	CLEAT,RAIL,1.25X1.25X4.25
18	4	EA	207569	SLIDE,DRW,ASSY,14,3/4,EXT,100#WH
19	4	EA	206523	PULL,ASSY,DRAWER,96MM,WIRE,CHROME
20	8	EA	206512	HINGE,ASSY,FULLOVERLAY,STL
21	4	EA	206507	CATCH,ROLLER,ASSY
22	4	EA	206522	PULL,ASSY,DOOR,96MM,WIRE,CHROME
23	4	EA	202640W1-1RC	DRW,MAJ,KRC,22.50X6.75X13.75
24	2	EA	202630W1-RH	DOOR,MAJ,KRC,24.22,20X21.75,RH
25	2	EA	202630W1-LH	DOOR,MAJ,KRC,24.22,20X21.75,LH
26	24	EA	100649	SCREW,#8,00X3/4,PHIL,TRUSS,HEAD,SMS
27	2	EA	BF357KRC	FILLER,BASE,KRC,.75X35.00X7.00
28	2	EA	BF1224,25KRC	FILLER,BASE,KRC,.75X12.00X24.25
29	1	EA	BF542KRC	FILLER,BASE,KRC,.75X5.00X42.00
30	1	EA	BF3042KRC	FILLER,BASE,KRC,.75X30.00X42.00
31	2	EA	BF351KRC	FILLER,BASE,KRC,.75X35.00X1.00
32	20	EA	100495	SCREW,#10X1-1/2,PHIL,R,SMS,ZN
33	1	EA	100170	BAG,MINI,CRP,434,CLEAR
34	2	EA	100074	FXTURE,L66-WSA-DIV(MULTI-SERVICE)
35	8	EA	211197	LOCK,ASSY,DISC,MAJ
36	2	EA	212009	APRON,K,81X4.50X24.25

NOT SHOWN: (14) (31)

NOTE:
1.) SEE FOLLOWING SHEET FOR
ITEM 27-31 DETAIL



REV	DESCRIPTION	DATE	APPROVED	DRN	STUSCHY
1	ITEM 18 WAS QTY 8	11/29/04	ASTREICHER	10/18/2004	
2	ITEM 35 WAS 207012	4/29/05	JCROSS		
3	ADDED ITEM 36-APRON RAIL	6-24-05	SBERGIN		
4	ITEM 6 WAS 100720	7-14-05	SBERGIN		

DIVERSIFIED WOODCRAFTS, INC
 PERIMETER WORKSTATION
 DRAWING NUMBER: **2826K**
 REV: **REV4**
 SCALE: 1"=8" SHEET: 1 OF 1 SIZE: C